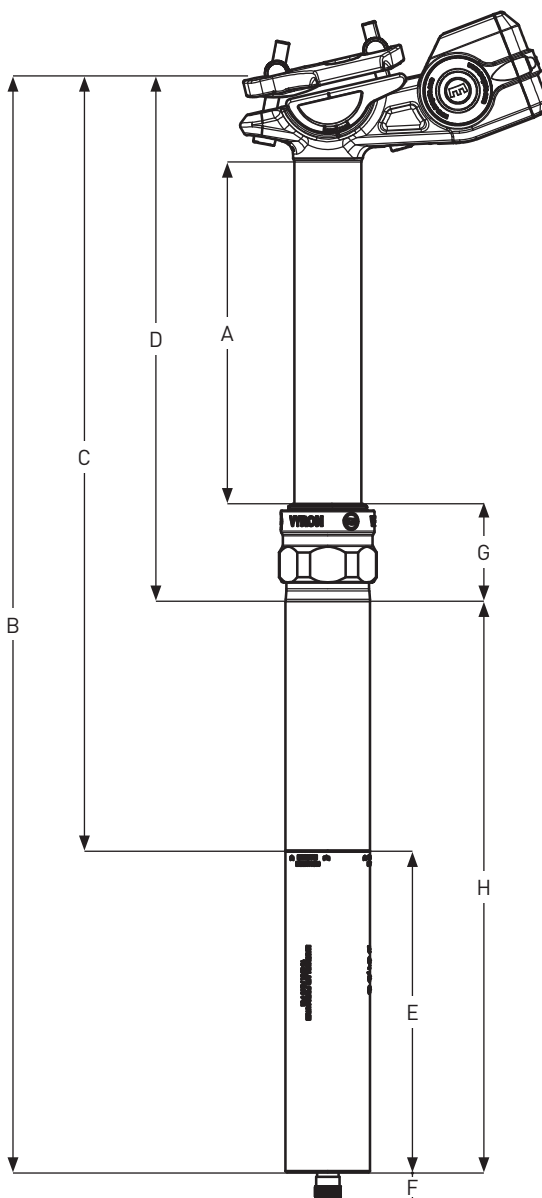


# Vyron MDS-V 3

## Tech Sheet



**MAGURA**



Diameter	"A (Travel in mm)"	"B (Total Length in mm)"	"C (Max. Extension in mm)"	"D (Length in mm)"	"E (Min. Insertion in mm)"	"F (Valve Length in mm)"	G (mm)	"H (Total Insertion Depth in mm)"	Maxi. Rider Weight (kg)	Max. Air Pressure Extended (min - max bar)	Tube size	Travel option to (mm)
31,6	175	499	379	229	120	10	30	270	120	13 - 15	L	150
31,6	150	474	354	204	120	35	30	270	120	13 - 15	L	175
31,6	125	404	284	179	120	10	30	220	120	13 - 15	S	100
31,6	100	379	259	154	120	35	30	220	120	13 - 15	S	125
30,9	175	499	379	229	120	10	30	270	120	13 - 15	L	150
30,9	150	474	354	204	120	35	30	270	120	13 - 15	L	175
30,9	125	404	284	179	120	10	30	220	120	13 - 15	S	100
30,9	100	379	259	154	120	35	30	220	120	13 - 15	S	125